

ROPOX FLEXI ELECTRIC LIFT SYSTEM

For benchtops



Length (mm)	Cat. No.
800	506.23.500
1000	506.23.501
1200	506.23.502
1400	506.23.503
1600	506.23.504
1800	506.23.505
2000	506.23.506
2200	506.23.507
2400	506.23.508
2600	506.23.509
2800	506.23.510
3000	506.23.511

Packing: 1 kit



Supplied with:

- > Beams and mounting brackets
- > 240 V Transformer and control box



Note:

For added safety we supply safety strips for the electric systems to avoid risk of trapping. Corner applications upon request. Smartboxes are used to link safety systems where moving benchtops are adjacent or have wall cabinet systems above. contact your local Häfele representative for more information. Large press pad option show on Page 11.14.

FASCIA CONCEALMENT MOUNTING SET

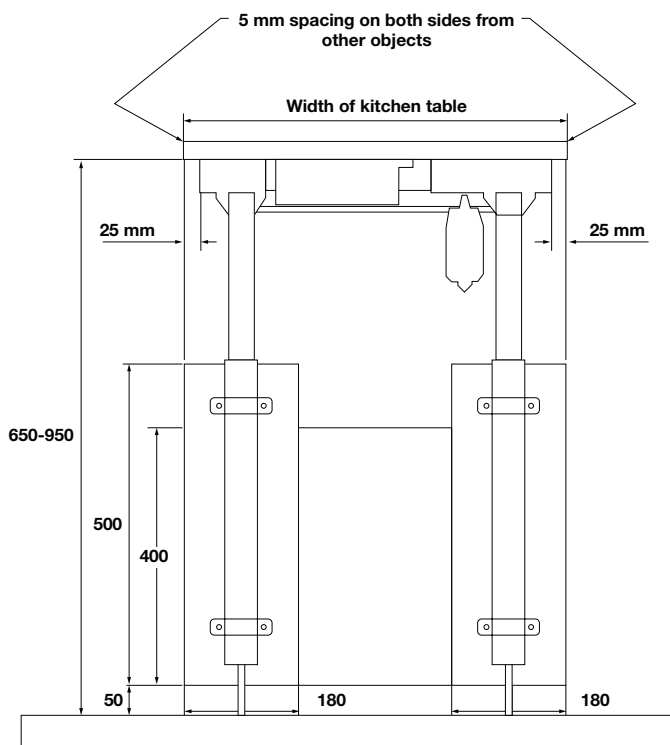
Colour	Cat. No.
White	506.16.729

Packing: 1 set



Note:

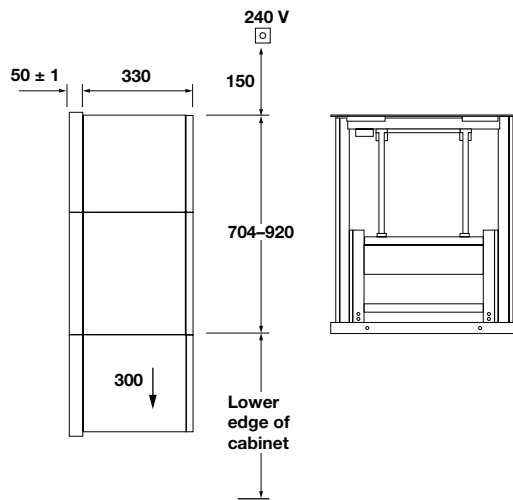
For mounting pelmet to conceal wall mounted column as shown in image.



- > **Features:**
 - Flexi Electric is optimal for frequent and independent use.
 - Sinks and cooktops can be integrated in the benchtop.
 - Easy to adjust in height, by means of control panel mounted to fascia.
 - Concealment panels can hide the legs and plumbing.
 - Suits any benchtop in lengths from 800 – 3000 mm.
- > **Area of application:**
 - Ideal for homes, schools, training kitchens, sheltered housing, nursing homes etc.

ROPOX VERTI ELECTRIC LIFT SYSTEM

For overhead cupboards



- > Features: Entire wall cabinet adjustable in height. Height adjustable down by 300 mm. Height adjustment system invisible when cabinet is mounted. Frame depth only 50 mm.
- > Cabinet width (mm): Model A: 400 - 1200
Model B: 1400 - 1800
- > Load capacity: 80 and 120 kg.

Model	Length (mm)	Cat. No.
A - 80 kg Capacity	400	506.21.000
	600	506.21.002
	800	506.21.004
	1000	506.21.006
	1200	506.21.008
B - 120 kg Capacity	1400	506.21.010
	1600	506.21.012
	1800	506.21.014

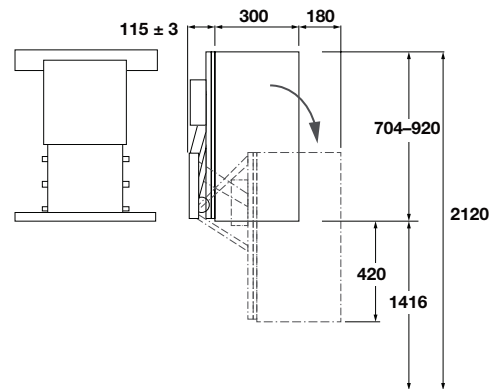
Packing: 1 piece

+ Supplied with:
> Transformer and control box

! Note:
Safety stop plate can be installed on the unit base to avoid the risk of trapping and lighting can be fitted, refer to page 11.15 for detail.
Smartboxes are used to link safety systems where moving benchtops are adjacent or have wall cabinet systems above. contact your local Häfele representative for more information.
*Cabinets not included
Large press pad option show on Page 11.14.

ROPOX DIAGONAL LIFT SYSTEM

For Overhead cupboards



- > Features: Adjusts in a diagonal motion – 430 mm down, 180 mm forward. Frame depth only 115 mm, hidden when cabinet is mounted.
- > Cabinet width (mm): Model A: 400 - 1200
Model B: 1400 - 1800
- > Load capacity: 120 - 220 kg.

Model	Length (mm)	Cat. No.
A - 120 kg Capacity	400	506.20.000
	600	506.20.002
	800	506.20.004
	1000	506.20.006
	1200	506.20.008
B - 220 kg Capacity	1400	506.20.010
	1600	506.20.012
	1800	506.20.014

Packing: 1 piece

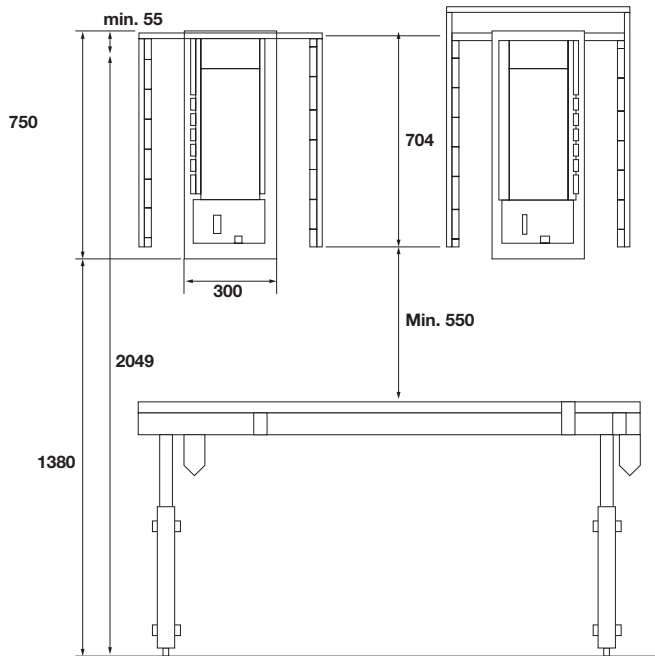
+ Supplied with:
> Transformer and control box

! Note:
Safety stop plate can be installed on the unit base to avoid the risk of trapping and lighting can be fitted, refer to page 11.15 for detail.
Smartboxes are used to link safety systems where moving benchtops are adjacent or have wall cabinet systems above. contact your local Häfele representative for more information.
Large press pad option show on Page 11.14.

Dimensions in mm Dimensional data not binding. We reserve the right to alter specifications without notice.

ROPOX VERTI INSIDE LIFT SYSTEM

For Overhead cupboards



- > **Features:**
 - An excellent adaptable solution for existing units. Invisible from the outside.
 - Adjustable down by 495 mm.
 - Height adjustable shelves.
 - Lighting can be integrated in bottom safety stop plate.
- > **Area of application:** Fitted inside the cabinet (standard widths between 400 - 1000 mm).
- > **Load capacity:** Designed for loads up to 80 kg.

Length (mm)	Cat. No.
400	506.22.000
600	506.22.002
800	506.22.004
1000	506.22.006

Packing: 1 piece



Supplied with:
> Transformer and control box



Note:
Smartboxes are used to link safety systems where moving benchtops are adjacent or have wall cabinet systems above. contact your local Häfele representative for more information. Large press pad option show on Page 11.14.

Dimensions in mm Dimensional data not binding. We reserve the right to alter specifications without notice.

ROPOX 4SINGLE FRAME



> **Features:**

Ideal for the whole family – adults, children and wheelchair users.
Can be used for a multitude of activities in the kitchen, office or living space, sheltered housing, nursing homes etc.
Two height ranges of 300 mm (550 - 850 and 650 - 950 mm).
Adjust the height simply by the push of a button or by using a winder handle
Sinks and cooktops can be integrated in the benchtop.
Brake castors make it easy to move the table, but standard adjustable feet or hidden floor fixings can be used.
A rechargeable battery solution means the electric version is easily mobile and can be provided as an option.
Fully charged batteries can last up to 3 months.
The frame is designed for loads of up to 150 kg, evenly distributed.
Charcoal, powder coated (RAL 7021)
Electric or manual (by crank handle)

> **Finish:**

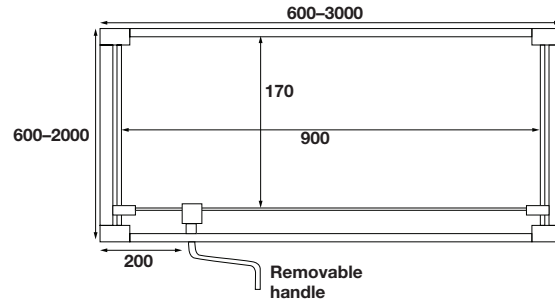
> **Version:**



Note:

Custom sizes up to 3000 x 2000 mm available upon request.
Minimum length 600 mm possible.
Custom colours available upon request.
Supplied ready to assemble.
For added safety we always recommend safety cable for electric systems to avoid risk of tripping. Refer to page 11.15 for details.

ROPOX 4SINGLE FRAME - MANUAL



Adjustment range (mm)	Length (mm)	Cat. No.
550 - 850	1600 x 800	638.92.001
	2000 x 800	638.92.002
	2000 x 1000	638.92.003
	3000 x 1200	638.92.004
650 - 950	1600 x 800	638.92.011
	2000 x 800	638.92.012
	2000 x 1000	638.92.013
	3000 x 1200	638.92.014

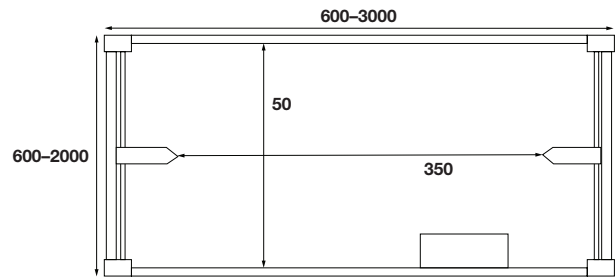
Packing: 1 piece



Supplied with:

> Winder handle

ROPOX 4SINGLE FRAME - ELECTRIC



Adjustment range (mm)	Length (mm)	Cat. No.
550 - 850	1600 x 800	638.92.021
	2000 x 800	638.92.022
	2000 x 1000	638.92.023
	3000 x 1200	638.92.024
650 - 950	1600 x 800	638.92.031
	2000 x 800	638.92.032
	2000 x 1000	638.92.033
	3000 x 1200	638.92.034

Packing: 1 piece

ROPOX BATTERY PACK 4 SINGLE ELECTRIC

	Cat. No.
	638.92.079

Packing: 1 piece

Dimensions in mm Dimensional data not binding. We reserve the right to alter specifications without notice.